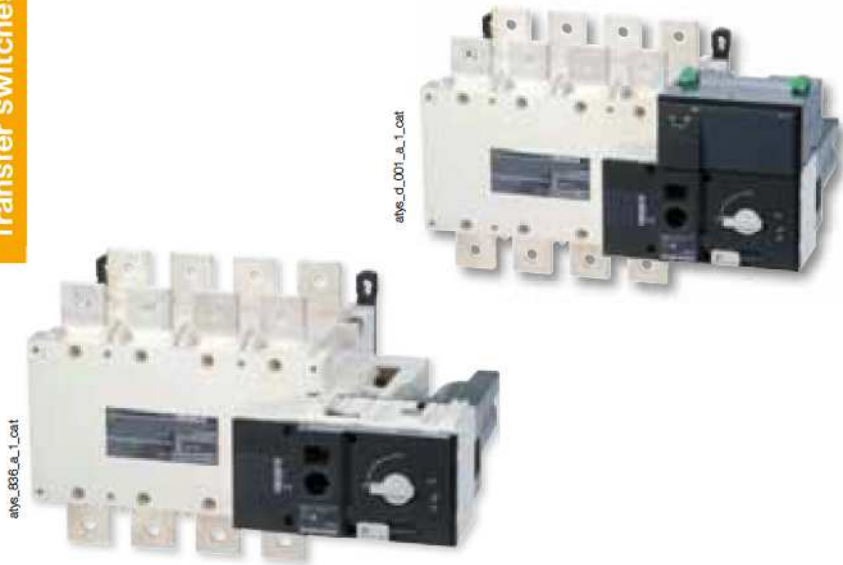




ATyS r - ATyS d

Remotely operated Transfer Switching Equipment
from 125 to 3200 A

Transfer switches



Function

ATyS r and ATyS d are three-phase remotely operated motorised transfer switches, 3 or 4 poles, with positive break indication.

They enable the on load transfer of two three-phase power supplies via remote volt-free contacts, from either an external automatic controller, using pulse logic, or a switch.

They are intended for use in low voltage power systems where interruption of the load supply is acceptable during transfer.

Advantages

Watchdog relay to check product availability

ATyS r and ATyS d products are equipped with a Watchdog relay which constantly monitors your product, thereby securing the installation.

This relay informs in real time the user of the product's availability, i.e. whether it is operational and ready for source switching.

Integrated auxiliary contacts

As part of the product monitoring function, the ATyS r and ATyS d enable the transmission of information relating to their position. This is possible thanks to the standard integration of an auxiliary contact for each position.

Extended power supply range

ATyS r and ATyS d products offer greater availability thanks to their extensive power supply range of 208 to 277 VAC \pm 20%.

ATyS d: integrated dual power supply

In addition to the functions offered by the ATyS r, the ATyS d incorporates supply redundancy without the need for additional wiring. This is obtained by integrating a double supply (2 independent power supplies) directly within the product.

The solution for

- > Applications with an external ATS/AMF controller
- > Building Management Systems (BMS)



Strong points

- > Watchdog relay to check product availability
- > Integrated auxiliary contacts
- > Extended power supply range
- > ATyS d: integrated dual power supply

Conformity to standards

- > IEC 60947-6-1
- > IEC 60947-3



External automatic controller

- > The ATyS r and ATyS d are compatible with our ATyS C30 external controllers (for mains/mains and mains/genset applications) and ATyS C40 controllers (for genset/genset applications).

VRAJ LINK

AUTHORIZED DEALER & DISTRIBUTORS

Address :- Shop No. 17, Opp. Electric Crematorium, 66/74 Chandan Wadi, Marine Lines (E), Mumbai - 400002

Email :- vrajlink09@gmail.com

Contact :- 9223310978 / 9833935831

Website :- www.vrajlink.com

References

Rating (A) / Frame size	No. of poles	ATyS r	ATyS d	Bridging bars	Terminal shrouds	Terminal screens	Auxiliary contact	3 position padlocking	Auto transformer
125 A / B3	3 P	9523 3012	9533 3012						
	4 P	9523 4012	9533 4012						
160 A / B3	3 P	9523 3016	9533 3016	3 P 4109 3019 4 P 4109 4019	3 P 2694 3014 ⁽²⁾ 4 P 2694 4014 ⁽²⁾	3 P 1509 3012 4 P 1509 4012			
	4 P	9523 4016	9533 4016						
200 A / B3	3 P	9523 3020	9533 3020						
	4 P	9523 4020	9533 4020						
250 A / B4	3 P	9523 3025	9533 3025	3 P 4109 3025 4 P 4109 4025			1599 0002 ⁽⁴⁾	9599 0003 ⁽⁴⁾	
	4 P	9523 4025	9533 4025						
315 A / B4	3 P	9523 3031	9533 3031	3 P 4109 3039 4 P 4109 4039	3 P 2694 3021 ⁽²⁾ 4 P 2694 4021 ⁽²⁾	3 P 1509 3025 4 P 1509 4025			
	4 P	9523 4031	9533 4031						
400 A / B4	3 P	9523 3040	9533 3040						
	4 P	9523 4040	9533 4040						
500 A / B5	3 P	9523 3050	9533 3050	3 P 4109 3050 4 P 4109 4050	3 P 2694 3051 ⁽²⁾ 4 P 2694 4051 ⁽²⁾	3 P 1509 3063 ⁽³⁾ 4 P 1509 4063 ⁽³⁾			400/230 VAC 1599 4064
	4 P	9523 4050	9533 4050						
630 A / B5	3 P	9523 3063	9533 3063	3 P 4109 3063 4 P 4109 4063					
	4 P	9523 4063	9533 4063						
800 A / B6	3 P	9523 3080	9533 3080	3 P 4109 3080 4 P 4109 4080		3 P 1509 3080 ⁽³⁾ 4 P 1509 4080 ⁽³⁾	1599 0032 ⁽⁴⁾		
	4 P	9523 4080	9533 4080						
1000 A / B6	3 P	9523 3100	9533 3100						
	4 P	9523 4100	9533 4100						
1250 A / B6	3 P	9523 3120	9533 3120	3 P 4109 3120 4 P 4109 4120					
	4 P	9523 4120	9533 4120						
1600 A / B7	3 P	9523 3160	9533 3160	3 P 4109 3160 4 P 4109 4160		3 P 1509 3160 ⁽³⁾ 4 P 1509 4160 ⁽³⁾		9599 0004 ⁽⁴⁾	
	4 P	9523 4160	9533 4160						
2000 A / B8	3 P	9523 3200	9533 3200						
	4 P	9523 4200	9533 4200						
2500 A / B8	3 P	9523 3250	9533 3250	(1)		3 P 1509 3200 ⁽³⁾ 4 P 1509 4200 ⁽³⁾	included		
	4 P	9523 4250	9533 4250						
3200 A / B8	3 P	9523 3320	9533 3320						
	4 P	9523 4320	9533 4320						

(1) See "Copper bar connection kits" page 71.

(2) To fully shroud front, rear, top and bottom 4 references required.

To shroud front switch top and bottom 2 references required.

(3) 2 pieces: one for top side and another for bottom side.

(4) Factory mounting only.

Technical information

- > Accessories: see page 70.
- > Characteristics: see page 76.
- > Terminals and connections: see page 78.
- > Dimensions: see page 80.

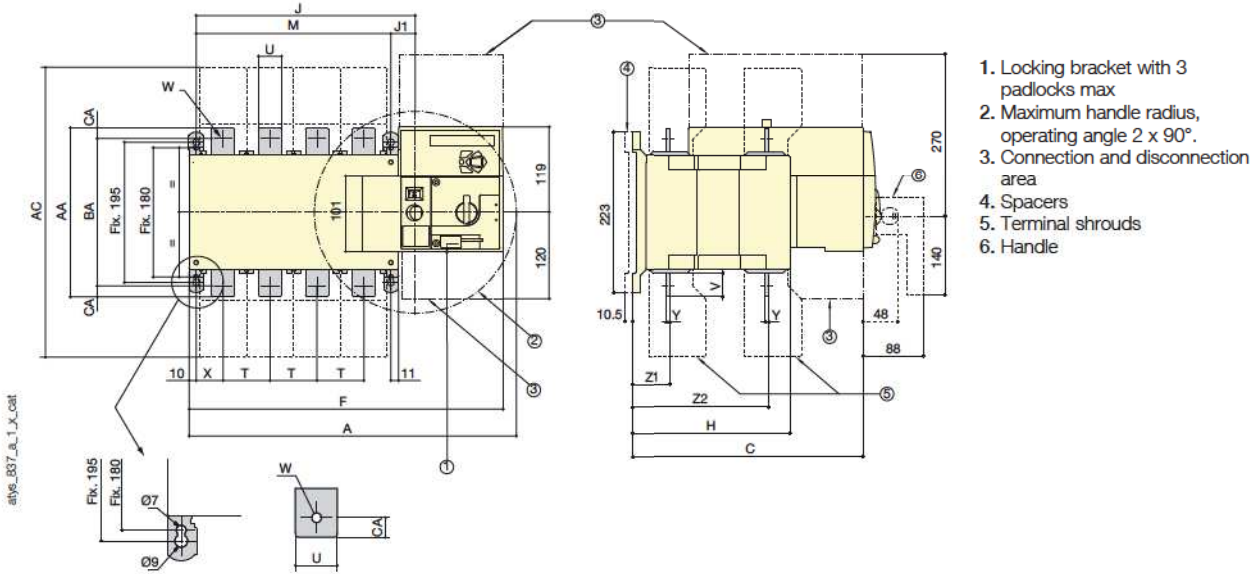
ATyS range

ATyS, ATyS d, ATyS t, ATyS g, ATyS p

from 125 to 3200 A

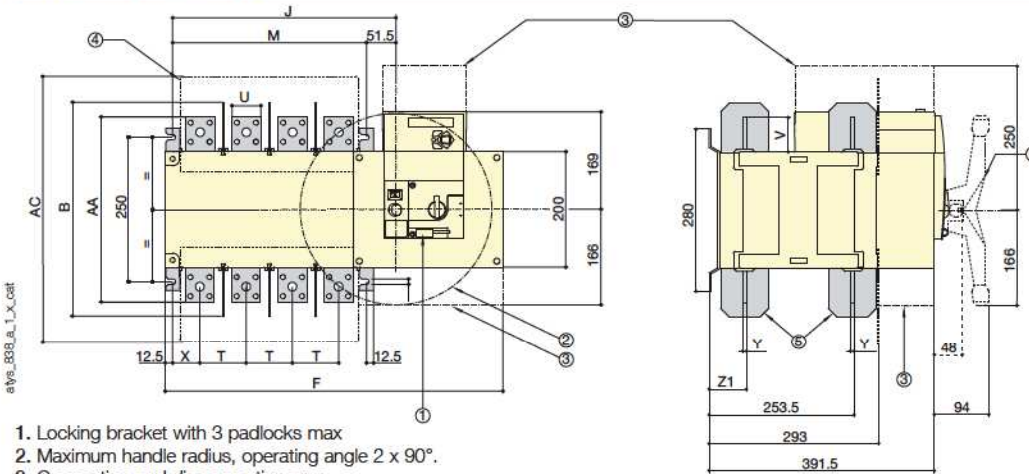
Dimensions

ATyS 125 to 630 A



Rating (A)	Overall dimensions			Terminal shrouds	Body						Switch mounting		Connection											
	A 3p.	A 4p.	C	AC	F 3p.	F 4p.	H	J 3p.	J 4p.	J1	M 3p.	M 4p.	T	U	V	W	X 3p.	X 4p.	Y	Z1	Z1	AA	BA	CA
125	304	334	244	233	286.5	317	151	154	184	34	120	150	38	20	25	9	28	22	3.5	38	134	135	115	10
160	304	334	244	233	286.5	317	151	154	184	34	120	150	38	20	25	9	28	22	3.5	38	134	135	115	10
200	304	334	244	233	286.5	317	151	154	184	34	120	150	38	20	25	9	28	22	3.5	38	134	135	115	10
250	345	395	244	288	328	378	152	195	245	35	160	210	50	25	30	11	33	3.5	39.5	133.5	160	130	15	
315	345	395	244	288	328	378	152	195	245	35	160	210	50	25	30	11	33	3.5	39.5	133.5	160	130	15	
400	345	395	244	288	328	378	152	195	245	35	160	210	50	35	35	11	33	3.5	39.5	133.5	170	140	15	
500	394	454	320.5	402	377	437	221	244	304	34	210	270	65	45	50	13	42.5	37.5	5	53	190	280	220	20
630	394	454	320.5	402	377	437	221	244	304	34	210	270	65	45	50	13	42.5	37.5	5	53	190	280	220	20

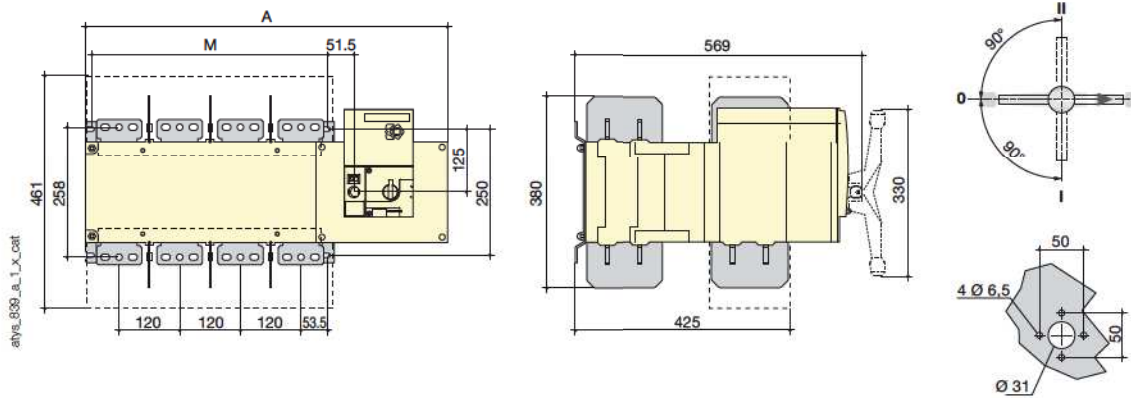
ATyS 800 to 1800 A



1. Locking bracket with 3 padlocks max
2. Maximum handle radius, operating angle 2 x 90°.
3. Connection and disconnection area
4. Terminal screens
5. Inter phase barrier
6. Handle

Rating (A)	Overall dimensions	Terminal shrouds	Body				Switch mounting		Connection						
	B	AC	F 3p.	F 4p.	J 3p.	J 4p.	M 3p.	M 4p.	T	U	V	X	Y	Z1	AA
800	370	461	504	584	306.5	386.5	255	335	80	50	60.5	47.5	7	66.5	321
1000	370	461	504	584	306.5	386.5	255	335	80	50	60.5	47.5	7	66.5	321
1250	370	461	504	584	306.5	386.5	255	335	80	60	65	47.5	7	66.5	330
1600	380	531	596	716	398.5	518.5	347	467	120	90	44	53	8	67.5	288
1800	380	531	596	716	398.5	518.5	347	467	120	90	44	53	8	67.5	288

ATyS 2000 to 3200 A

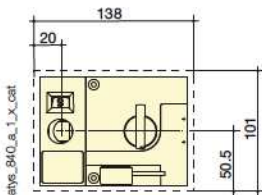


Rating (A)	Overall dimensions		Switch mounting	
	A 3p.	A 4p.	M 3p.	M 4p.
2000 ... 3200	596	716	347	467

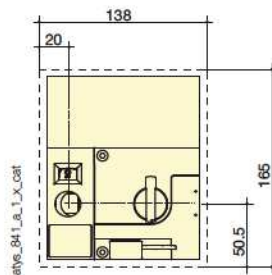
Cut of dimensions

ATyS 125 to 630 A

ATyS

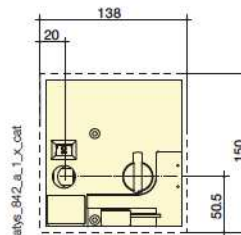


ATyS d, t, g, p

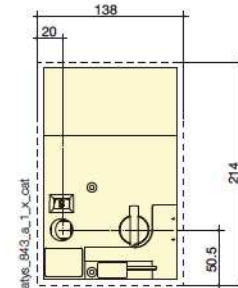


ATyS 800 to 1800 A

ATyS

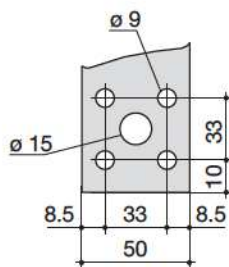


ATyS d, t, g, p

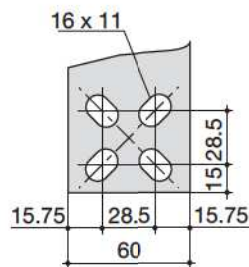


Connection terminals

ATyS 800 to 1000 A



ATyS 1250 A



ATyS 1600 to 3200 A

